

# Tiandy



TC-H3169M Spec: 63X/LW/P/A/AR

# 16MP Panoramic PTZ Camera



## KEY FEATURES

### Panaromic Camera

- Four 1/1.8" CMOS
- Up to 5520x2400@30fps
- Horizontal: 180°, Verticle:85°
- Min. illumination Color: 0.0004Lux@F1.0
- Support region clipping
- Support distortion correction

### PTZ Camera

- Up to 2560\*1440@30fps
- Optical zoom: 63×, digital zoom 16×
- Support 3d position
- Laser Distance: 500m
- Auto-Tracking Early Warning (AEW)
- Auto Wiper
- IP66



**Tiandy Technologies Co.,Ltd.**

Email: [sales@tiandy.com](mailto:sales@tiandy.com)

Tel: +86-22-58596065

Website: [en.tiandy.com](http://en.tiandy.com)

Fax: +86-22-58596048



## SPECIFICATIONS

Camera	
Image Sensor	Panorama: 1/1.8" CMOS,Detail: 1/1.8" CMOS
Signal System	PAL/NTSC
Min. Illumination	Panorama: Color: 0.0004Lux@ (F1.0, AGC ON), BW: 0lux with IR
Shutter Time	1s to 1/100,000s
Day & Night	IR Cut Filter with Auto Switch
Optical Zoom	Detail: 63x
Digital Zoom	Detail: 16x
Lens	
Focal Length	Panorama: 2.8mm; Detail: 5.7-359mm
Zoom Speed	<5s
Field of View	Panorama: Horizontal: 180°, vertical: 85° Detail:Horizontal: 60° (w)~1.5° (t), vertical:35° (w)-0.9°(t)
Aperture Range	Panorama: F1.0; Detail: F1.6 ~ F5.0
Focus Control	Auto/Manual
Iris Control	Auto
Close Focus Distance	Detail:1 m~3 m
Pan&Tilt	
Pan Range	Detail: 0°~360°
Pan Speed	Panorama: Pan Manual Speed: 0.1°~200°/s°/s, Pan Preset Speed: 240°/s
Tilt Range	Detail: -21°-90° (Auto flip)
Tilt Speed	Detail:Pan Manual Speed: 0.1°~120°/s, Pan Preset Speed: 180°/s
3D Position	Yes
Preset	500
Preset Accuracy	±0.1°
Cruise	16, up to 32 presets per cruise
Scan	8
Pattern	8, each with 600s memory or 1000 orders
Scheduled Task	Preset、Cruise、Scan、Pattern、Alarm output
Park Action	Yes
Power-off Memory	Yes
Preset Freezing	Yes
Illuminator	
IR LEDs	11
IR Distance	Up to 300m
IR Irradiation Angle	Adjustable by Zoom
White LEDs	2, support white/blue/red light flash
Laser	6, Wavelength 850nm
Laser Distance	Up to 500m
Compression Standard	
Video Compression	S+265/H.265/H.264/M-JPEG
Video Bit Rate	32Kbps~16Mbps
Audio Compression	G.711A/G.711U/ADPCM_D/AAC_LC
Audio Sampling Rate	8K~48Kbps
Image	
Max. Resolution	Panorama: 5520x2400;Detail: 2560x1440
Main Stream	Panorama: PAL:25fps(5520x2400,4096x1800,3840x1680,2784x1200) NTSC:30fps(5520x2400,4096x1800,3840x1680,2784x1200) Detail: PAL:25fps(2560x1440,2304x1296,1920x1080,1280x720) NTSC:30fps(2560x1440,2304x1296,1920x1080,1280x720)

# Tiandy

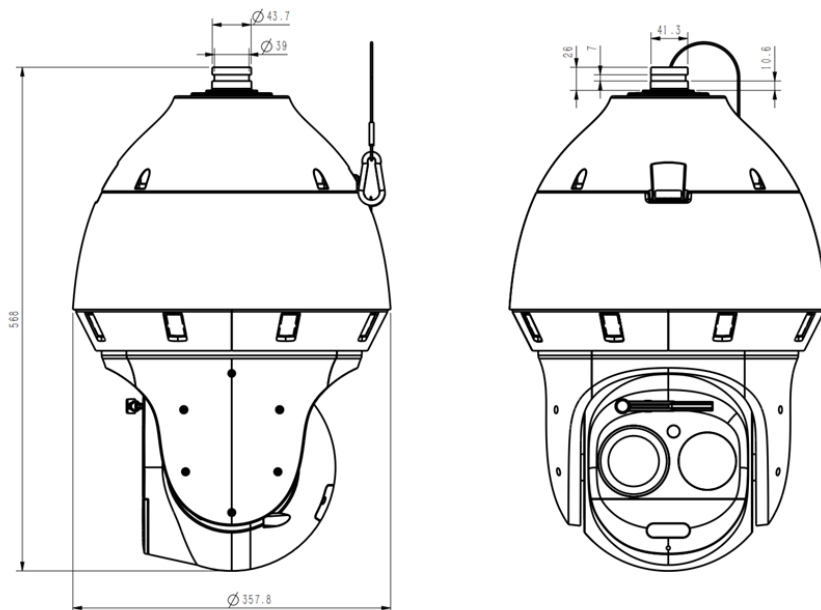
<b>Sub Stream</b>	Panorama: PAL:25fps(2048x896,1280x560,704x320) NTSC:30fps(2048x896,1280x560,704x320) Detail: PAL:25fps(704x576,704x288,352x288,640x360) NTSC:30fps(704x480,704x240,352x240,640x360)
<b>Third Stream</b>	Panorama: PAL:25fps (1280x560) NTSC:30fps (1280x560) Detail: PAL:25fps(704x576,704x288,352x288,640x480) NTSC:30fps(704x480,704x240,352x240,640x480)
<b>BLC</b>	Yes
<b>HLC</b>	Yes
<b>WDR</b>	Panorama:Digital;Detail: True WDR
<b>Image Stabilization</b>	Yes
<b>Fog</b>	Digital
<b>White Balance</b>	Yes
<b>AGC</b>	Yes
<b>Noise Reduction</b>	2D/3D
<b>ROI</b>	7 Dynamic Areas for Both Main and Sub Stream
<b>Picture Overlay</b>	Yes
<b>Privacy Mask</b>	Yes
<b>Smart Defog</b>	Yes
<b>Image Setting</b>	Saturation, brightness, contrast, sharpness, adjustable by client software or web browser
<b>Flip</b>	Yes
<b>OSD</b>	Panorama: 16x16, 24x24,32x32, 48x48, 64x64, 96x96, 128x128, adaptable size, letters such as Week, Date, Time, Total 5 Region Detail: 16*16/24*24/32*32/48*48/64*64/72*72/96*96, adaptable size, letters such as Week, Date, Time, Total 5 Region
<b>Feature</b>	
<b>Alarm Trigger</b>	Event Input, Event Output, Mask Alarm, Disk Full, Disk R/W Error, IP Address Conflict, MAC Address Conflict, FTP Server Exception
<b>Video Analytics</b>	Panorama: Tripwire, Double Tripwire, Heatmap Detail: Tripwire, Double Tripwire, Perimeter, Object Abandon, Object Lost, Loitering, Running, Parking, Heatmap, Crowd, People Counting, On Duty Detection, Video Abnormal, Audio Abnormal
<b>Early Warning(EW)</b>	Yes
<b>Auto-Tracking</b>	Yes
<b>Face Detection and Analytics</b>	
<b>Operating Mode</b>	Face capture, intelligent monitoring
<b>Face Detection Performance</b>	Detects up to 32 faces at the same scene
<b>Face Exposure Brightness</b>	Default 35, 1~100 brightness optional
<b>Min. Face Pixel</b>	29~2560 optional
<b>Network</b>	
<b>Protocols</b>	TCP/UDP/HTTP/MULTICAST/UPnP/DHCP/PPPoE/DDNS/NFS/FTP/NTP/RTSP/IPv6/IPv4/SNMP/SMTP/RTMP/802.1X
<b>System Compatibility</b>	ONVIF (PROFILE S/T/G/M), SDK, CGI, P2P
<b>ANR</b>	Auto store video in SD card when NVR disconnected, and upload video to NVR when resumed connection (Only Support Tiandy ANR NVR)
<b>Remote Connection</b>	≤7
<b>User/Host</b>	Up to 32 users. 4 user levels
<b>Web Version</b>	web6

# Tiandy

Interface	
Communication Interface	1 RJ45 100M/1000M self adaptive Ethernet port
Audio I/O	1/1
Alarm I/O	8/2
Built-In Speaker	Yes
Reset Button	Yes
On-board storage	Built-in Micro SD card slot, up to 512 GB
RS-485	Yes
BNC	Yes(Debugging use)
Wiper	Yes
Electronic Compass	Yes
GPS/BDS	N/A
General	
Protection	IP66 , TVS 6000V lightning protection, surge protection and voltage transient protection
Web Client Language	17 languages Simple Chinese/ Traditional Chinese/ English/ Spanish/ Korean/ Italian/ Turkish/ Russian/ Thai/French/ Polish/ Dutch/ Hebrewism/ Arabic/ Vietnamese/ German/ Ukrainian
Operating Conditions	-40°C~70°C (IR OFF), -40°C~40°C (IR ON), 0-95%RH
Power Supply	DC36V±25%
Power Consumption	76W MAX
Heater	Yes
Material	ADC 12
Package/Boundary Dimensions	550mm(L)*470mm(W)*730mm(H) /358mm(L)*358mm(W)*568mm(H)
Gross/Net Weight	21.7kg (14.8kg)

\* Listed resolutions are only selectable options. It does not mean that all streams can work at their maximum resolution at the same time.

## DIMENSIONS (Unit: mm)



## ACCESSORIES



DF20Y  
Wall Mount

### OPTIONAL



A37  
Installation Adapter



A38  
Ceiling Mount



DF21Y  
Pendant Mount



A36  
Pole Mount



A35  
Corner Mount



811  
Junction Box

DISTRIBUTED BY



**Tiandy Technologies Co.,Ltd.**

Email: [sales@tiandy.com](mailto:sales@tiandy.com)

Tel: +86-22-58596065

Website: [en.tiandy.com](http://en.tiandy.com)

Fax: +86-22-58596048