

Tiandy



TC-H358M Spec: 44X/IT/A Thermal & Optical Bi-spectrum AI PTZ Camera



KEY FEATURES

- Supports optical and thermal bi-spectrum image
- Vanadium Oxide Uncooled Focal Plane Arrays
- Thermal Resolution 384×288
- Optical Resolution up to 3072×1728@30fps
- Min. illumination Color: 0.001Lux@F1.6
- Optical zoom: 44×, digital zoom 16×
- Smart IR, IR Range: 300m
- Built-in Speaker
- Built-in Automatic Wiper
- Built-in Electronic Compass
- Support GPS/BDS
- S+265/H.265/H.264/M-JPEG
- Intelligent monitoring/Face Capture mode
- Support Human/Vehicle Classification
- Support Laser Point
- Plugin Free
- IP66



Tiandy Technologies Co.,Ltd.

Email: sales@tiandy.com

Tel: +86-22-58596065

Website: en.tiandy.com

Fax: +86-22-58596048



SPECIFICATIONS

Thermal parameters	
Thermal Sensor Type	Vanadium Oxide Uncooled Focal Plane Arrays
Thermal Length	50mm
Resolution	384x288
Pixl Interval	17 μ m
Response Waveband	8 μ m~14 μ m
NETD	\leq 40mK@f/1.0
Thermal FOV	Horizontal: 7.5°, Vertical: 5.6
Measurement Distance	Detection: 4510m (vehicle), 1471m
Based on the reference: human (1.8m x 0.5m) vehicle (4m x 1.4m)	(human) Recognition: 1127m (vehicle), 368m (human) Identification: 564m (vehicle), 184m (human)
Measurement Distance Based on the reference: human (1.8m x 0.5m) vehicle (4m x 1.4m)	3000m
Main Stream	PAL: 25fps (384 288),NTSC: 30fps (384 288)
Sub Stream	PAL: 25fps (384 288),NTSC: 30fps (384 288)
Third Stream	PAL: 25fps (384 288),NTSC: 30fps (384 288)
Camera	
Image Sensor	1/1.8" CMOS
Signal System	PAL/NTSC
Min. Illumination	Color: 0.001lux@ (F1.6, AGC ON), BW: 0lux with IR
Shutter Time	1s to 1/100,000s
Day & Night	Dual IR Cut Filter with Auto Switch
Optical Zoom	44X
Digital Zoom	16X
Lens	
Focal Length	6mm~264mm
Zoom Speed	<5s
Field of View	Horizontal filed of view: 61.8° (w)~2.3° (t) Vertical filed of view:36.3° (w)~1.3° (t)
Aperture Range	F1.6~F5.3
Focus Control	Auto/Manual
Iris Control	Auto
Close Focus Distance	1 m~3 m
Pan&Tilt	
Pan Range	360°
Pan Speed	Pan Manual Speed: 0.1°~160°/s, Pan Preset Speed: 200°/s
Tilt Range	-21°~90° (Default -13°~90°)
Tilt Speed	Tilt Manual Speed: 0.1°~120°/s, Tilt Preset Speed: 120°/s
3D Position	Yes
Preset	500

Tiandy

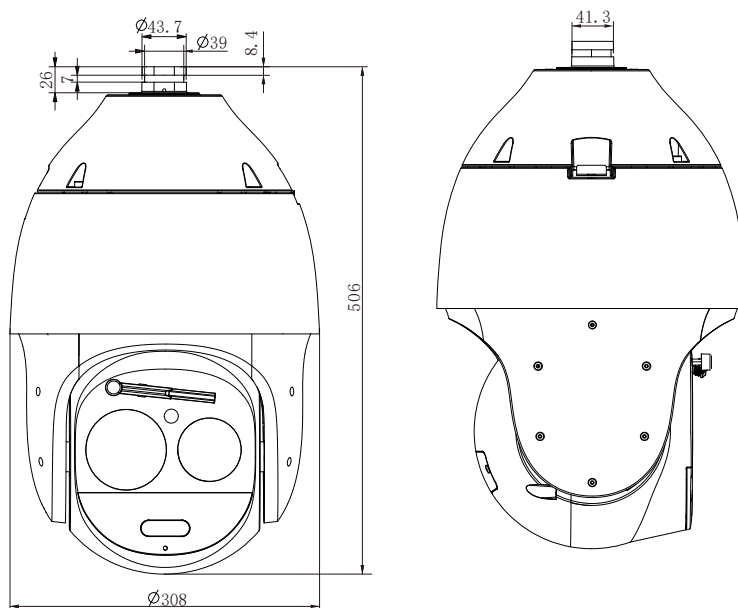
Preset Accuracy	±0.1°
Cruise	16, up to 32 presets per cruise
Scan	8
Pattern	8, each with 600s memory or 1000 orders
Scheduled Task	Preset, Cruise, Scan, Pattern, Alarm output
Park Action	Yes
Power-off Memory	Yes
Preset Freezing	Yes
Illuminator	
IR LEDs	11
IR Distance	Up to 300m
IR Irradiation Angle	Adjustable by Zoom
White LEDs	2, support white/blue/red light flash
Laser	N/A
Laser Distance	N/A
Compression Standard	
Video Compression	S+265/H.265/H.264/M-JPEG
Video Bit Rate	32Kbps~16Mbps
Audio Compression	G.711A/G.711U/ADPCM_D/AAC_LC
Audio Sampling Rate	8K~48Kbps
Image	
Max. Resolution	5.0MP (3072x1728)
Main Stream	PAL: 25fps (3072x1728), 50fps (2560x1440, 2304x1296, 1920x1080, 1280x720) NTSC: 30fps (3072x1728), 60fps (2560x1440, 2304x1296, 1920x1080, 1280x720)
Sub Stream	PAL: 25fps (704x576, 704x288, 640x360, 352x288) NTSC: 30fps (704x480, 704x240, 640x360, 352x240)
Third Stream	PAL: 25fps (1920x1080, 1280x720, 704x576, 640x480, 704x288, 352x288) NTSC: 30fps (1920x1080, 1280x720, 704x480, 640x480, 704x240, 352x240)
BLC	Yes
HLC	Yes
WDR	True WDR
Image Stabilization	EIS
Fog	Digital
White Balance	Yes
AGC	Yes
Noise Reduction	2D/3D
ROI	7 Dynamic Areas for Both Main and Sub Stream, support 1 auto-tracking ROI
Picture Overlay	Yes
Privacy Mask	Yes
Smart Defog	Yes
Image Setting	Saturation, brightness, contrast, sharpness, adjustable by client software or web browser
Flip	Yes
OSD	16x16, 24x24, 32x32, 48x48, 64x64, 96x96, 128x128, adaptable size, Letters such as Week, Date, Time, Total 5 Regions
Feature	
Alarm Trigger	Event Input, Event Output, Mask Alarm, Disk Full, Disk R/W Error, IP Address Conflict, MAC Address Conflict, FTP Server Exception
Video Analytics	Tripwire, Double Tripwire, Perimeter, Object Abandon, Object Lost, Loitering, Running, Parking, Heatmap, Crowd, People Counting, On Duty Detection, Video Abnormal, Audio Abnormal
Early Warning(EW)	Yes
Auto-Tracking	Yes
Face Detection and Analytics	
Operating Mode	Face capture, intelligent monitoring optional, default intelligent monitoring
Face Detection Performance	Detects up to 16 faces at the same scene
Face Exposure Brightness	Default 35, 1~100 brightness optional
Min. Face Pixel	Default 80, 19~1920 optional
Network	
Protocols	TCP/UDP/HTTP/MULTICAST/UPnP/DHCP/PPPoE/DDNS/NFS/FTP/NTP/RTP/RTSP/IPv6/SNMP/SMTP/RTMP
System Compatibility	ONVIF (PROFILE S/T/G), SDK, CGI, P2P
ANR	Auto store video in SD card when NVR disconnected, and upload video to NVR when resumed connection (Only Support Tiandy ANR NVR)
Remote Connection	≤7
User/Host	Up to 32 users. 4 user levels
Web Version	web6

Tiandy

Interface	
Communication Interface	2 RJ45 100M/1000M self adaptive Ethernet ports
Audio I/O	1/1
Alarm I/O	8/2
Built-In Speaker	Yes
Reset Button	Yes
On-board storage	Built-in Micro SD card slot, up to 256 GB
RS-485	Yes
BNC	Yes(Debugging use)
Wiper	Yes(Auto Wiper)
Electronic Compass	Yes
GPS/BDS	Yes
General	
Protection	IP66 , TVS 6000V lightning protection, surge protection and voltage transient protection
Web Client Language	16 languages Simple Chinese/ Traditional Chinese/ English/ Spanish/ Korean/ Italian/ Turkish/ Russian/ Thai/ French/ Polish/ Dutch/ Hebraism/ Farsi/Arabic/ Vietnamese
Operating Conditions	-40°C~70°C (IR OFF), -40°C~40°C (IR ON), 0-95%RH
Power Supply	DC36V±25%
Power Consumption	30W(IR OFF), 67W(IR ON)
Heater	Yes
Material	ADC 12
Package/Boundary Dimensions	Φ445x700mm (Φ308x506mm)
Gross/Net Weight	21kg (11.6kg)

* Listed resolutions are only selectable options. It does not mean that all streams can work at their maximum resolution at the same time.

DIMENSIONS (Unit: mm)



ACCESSORIES



DF20Y
Wall Mount

OPTIONAL



A37
Installation Adapter



A38
Ceiling Mount



DF21Y
Pendant Mount



A36
Pole Mount



A35
Corner Mount



811
Junction Box

DISTRIBUTED BY



Tiandy Technologies Co.,Ltd.

Email: sales@tiandy.com

Tel: +86-22-58596065

Website: en.tiandy.com

Fax: +86-22-58596048